

Contact Details

Before using the product, please check the guide pages at the front of this catalog.

Internet

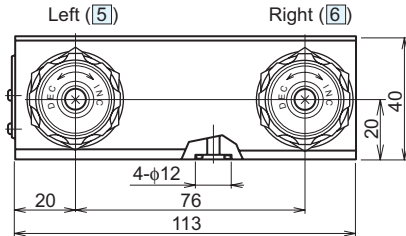
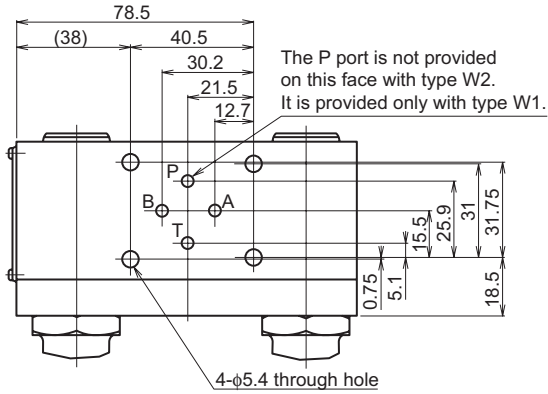
<http://www.daikinpmc.com/en/>

For latest information, PDF catalogs and operation manuals

External dimension diagram

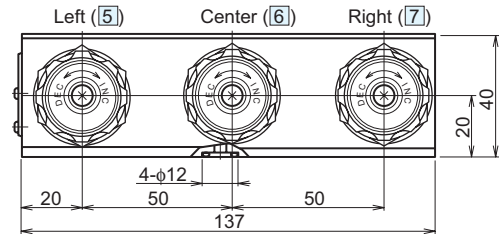
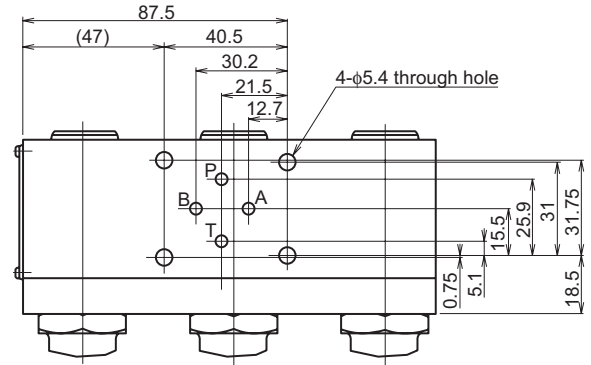
MRV-W*-**

Mounting face (conforming standard)
ISO 4401-03-02-0-05



MRV-T*-**

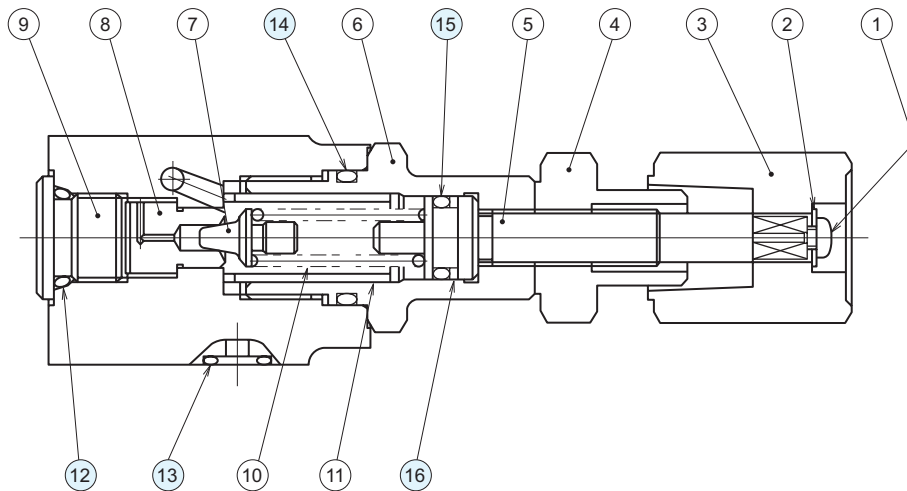
Mounting face (conforming standard)
ISO 4401-03-02-0-05



E
PRESSURE CONTROL VALVES

Sectional structural diagram

MRV



Sealing part table

Part No.	Name	Quantity	Part specifications
12	O-ring	S: 1, W: 2, T: 3	JIS B 2401 1BP14
13	O-ring	4	JIS B 2401 1BP9
14	O-ring	S: 1, W: 2, T: 3	JIS B 2401 1BP20
15	O-ring	S: 1, W: 2, T: 3	JIS B 2401 1BP11
16	Backup ring	S: 1, W: 2, T: 3	JIS B 2407 bias cut P11