

Contact Details

Before using the product, please check the guide pages at the front of this catalog.

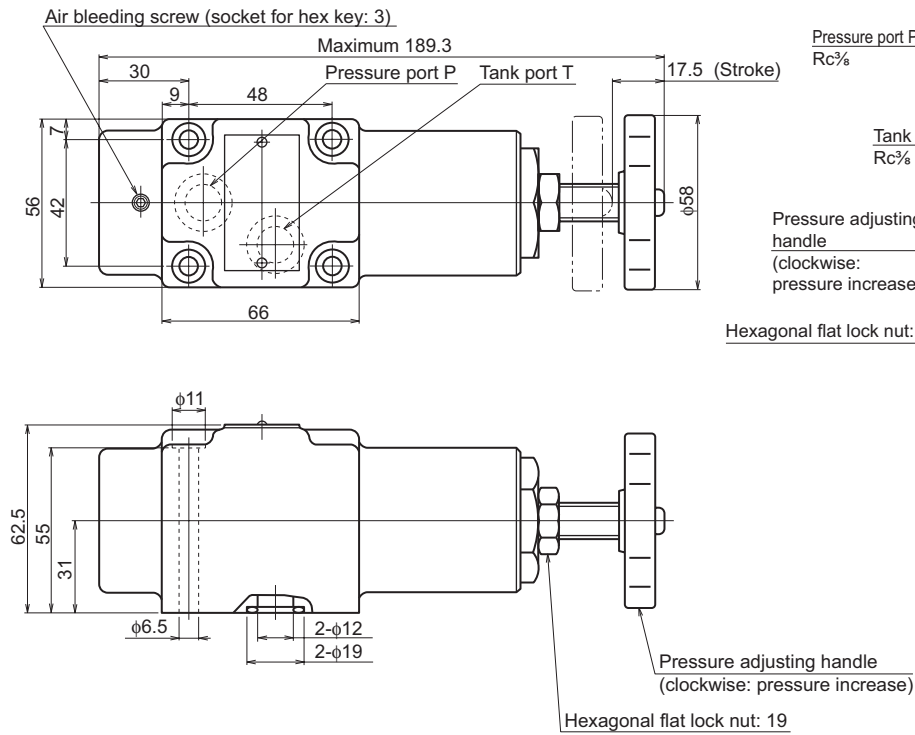
Internet

<http://www.daikinpmc.com/en/>

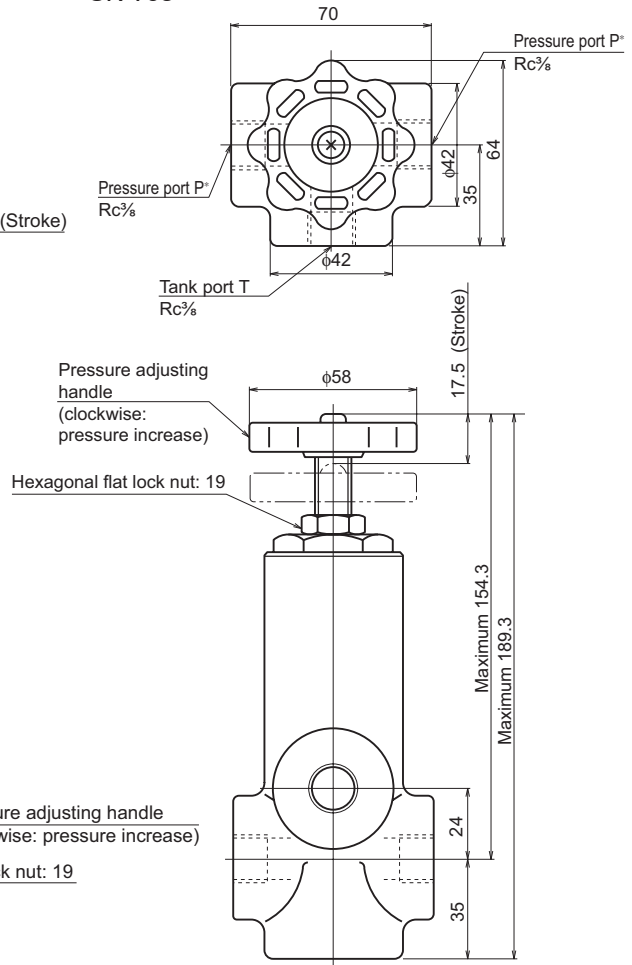
For latest information, PDF catalogs and operation manuals

External dimension diagram

SR-G03



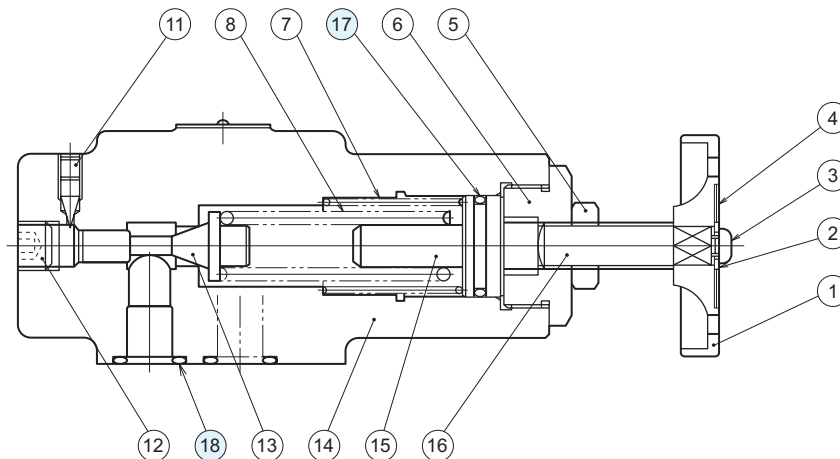
SR-T03



* The P ports at both sides connect with each other internally.
One can be used as a port for mounting a pressure gauge, for example.

Sectional structural diagram

SR-G03



Sealing part table

Part No.	Name	Quantity	Part specifications	
			SR-G03	SR-T03
17	O-ring	1	JIS B 2401 1AP22	JIS B 2401 1AP22
18	O-ring	2	JIS B 2401 1AP15	-