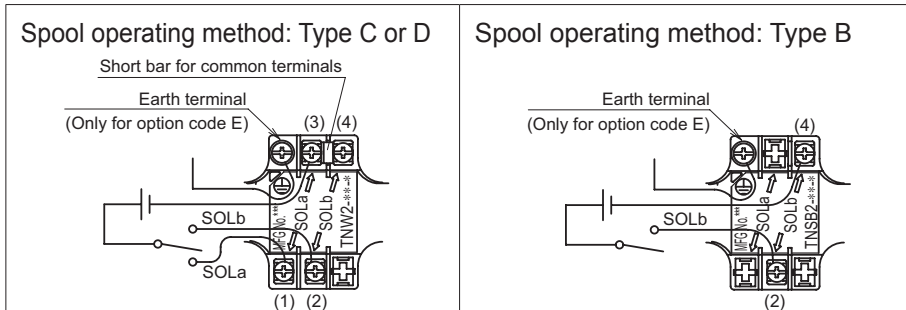


Wiring guide

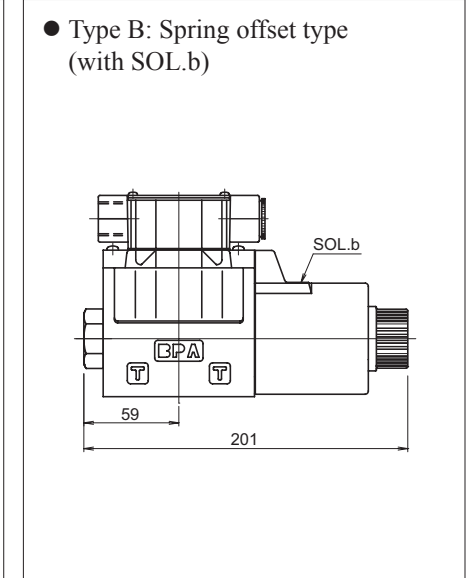
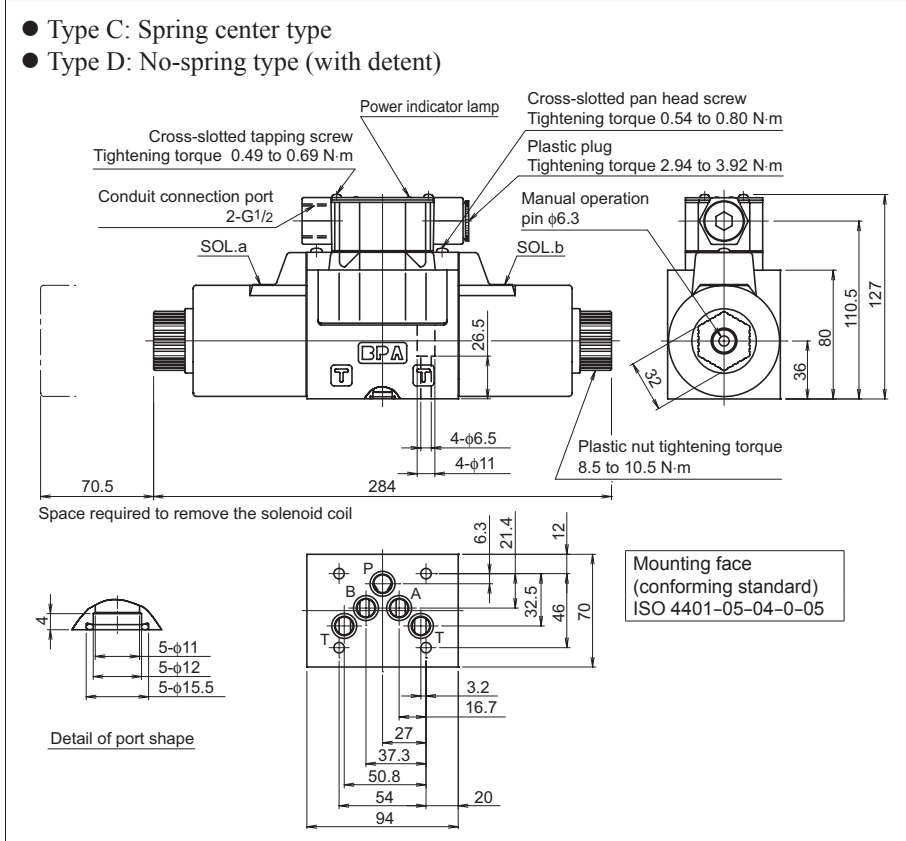
- The figure shows the status with the terminal box nameplate removed.
- The earth terminal is optional (option code: E).
- For double solenoid type valves, a short bar for common terminals is fitted to facilitate wiring. Connection to either terminal (3) or (4) is sufficient.



Note: ○ There is no polarity to consider when wiring a solenoid controlled valve.

- Always turn off the power supply before starting wiring work.
- User crimp-style terminals for M3.
- Tighten the terminal screws (M3) at a tightening torque of 0.34 to 0.51 N·m {3.4 to 5.1 kgf·cm}

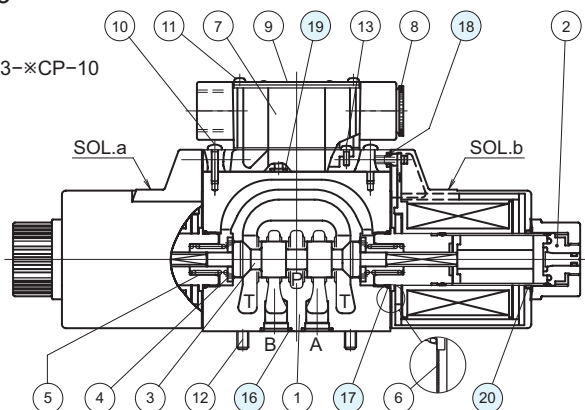
External dimension diagram



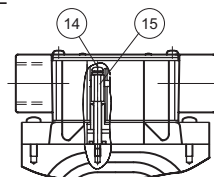
Sectional structural diagram

LS-G03

●LS-G03-×CP-10



●LS-G03-×CP-10-E



Sealing part table

Part No.	Name	Quantity	Part specifications
16	O-ring	5	AS568-014 (NBR, Hs90)
17	O-ring	2	AS568-022 (NBR, Hs90)
18	O-ring	4	JIS B2401 1A P4
19	O-ring	1	JIS B2401 1A P5
20	O-ring	2	S 26 (NBR, Hs70) Manufacturer: NOK