

Contact Details

Before using the product, please check the guide pages at the front of this catalog.

Internet

<http://www.daikinpmc.com/en/>

For latest information, PDF catalogs and operation manuals

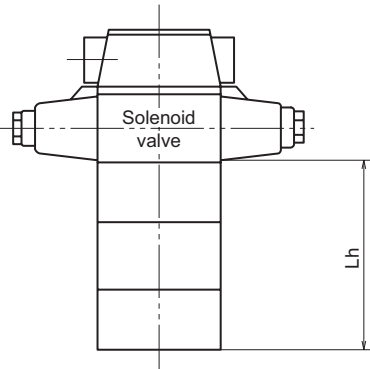
02 Series Stack Valve Mounting Bolts

Bolt selection guide

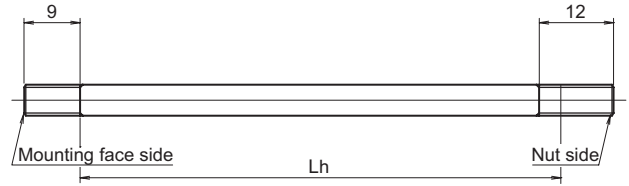
Select the bolts to be used for mounting stack valves and stacking blocks according to the stacked height (Lh) of the valves and blocks.

The heights of the most of stack valves and stacking blocks are standardized at 40 mm. This means that the applicable bolt type will be the same as long as the number of stack levels is the same, regardless of the models of the valves and blocks being stacked.

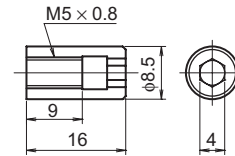
Note: The solenoid operated low-pressure reducing valves (MGBS-02P) are 90 mm high. Be careful when using these valves.



Stud bolt



Nut for stud bolts (provided with stud bolts)



Tightening torque of mounting bolts

6 to 8 N·m {60 to 80 kgf·cm}

Hexagon socket head cap bolt

Number of stack levels	Stacked dimension Lh (mm)	Mounting bolt model code	Hexagon socket head cap bolt
0	0	HB100	M5 × 45
1	40	HB101	M5 × 85
2	80	HB102	M5 × 125
3	120	HB103	M5 × 165
4	160	HB104	M5 × 205

Stud bolt

Number of stack levels	Stacked dimension Lh (mm)	Mounting bolt model code	Stud bolt
0	0	SB100	M5 × 55
1	40	SB101	M5 × 95
2	80	SB102	M5 × 135
3	120	SB103	M5 × 175
4	160	SB104	M5 × 215

Note: ○ The model codes cited above are for sets of four bolts. ○ A number of stack levels of "0" means that only a solenoid valve is used, with no stack valves.
○ When using stud bolts, screw them at least 8 mm into the mounting face of the manifold block or other mount.

Adjusting handle External dimension diagrams

<p>MR-02*-*-55-T</p>	<p>MG-02*-*-55-T</p>
<p>MGB-02*-03-55-T</p>	<p>MT-02P(T)-65-T</p>
<p>MT-02W*-55-T</p>	

MODULAR STACK VALVES I